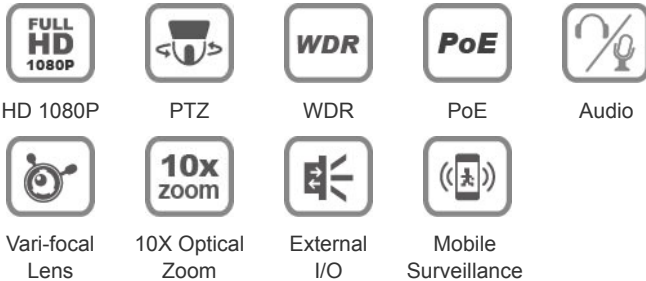




AVM571F



2MP 10X PTZ IP Camera

FEATURES

- Zoom lens of f5.0 ~ 50mm with **10x optical zoom and auto focus**, suitable for various monitoring environments

- **External alarm I/O device** connection



- **POE (Power-over-Ethernet)** support to eliminate the use of power cables and reduce installation costs
- **ONVIF (ONVIFS)** standard supported to simplify system integration
- **Line in / out** jacks available for audio transmission
- **Waterproof** design on the Ethernet cable connector

- **WDR** to increase image recognizability in overexposure and dark areas



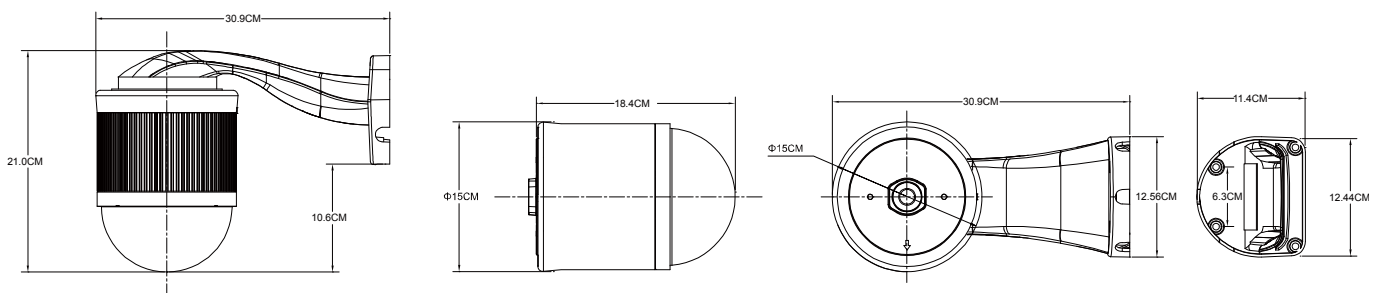
- **Remote Surveillance**

- **Fully compatible** with **iOS** and **Android** devices, and **Internet Explorer** on Windows operating system
- **Push Video** available on your iOS and Android devices when used with Push Video NVR series

- **Hot Point** support to quickly move the camera to the specified point remotely

- Up to **16 preset points & four sequence groups** programmable for multiple points monitoring, and **Auto Scan**

DIMENSIONS



Dimensional tolerance: ± 5mm



○ SPECIFICATIONS

■ Network	
LAN Port	YES
LAN Speed	10/100 Based-T Ethernet
Supported Protocols	DDNS, PPPoE, DHCP, NTP, SNTP, TCP/IP, ICMP, SMTP, FTP, HTTP, RTP, RTSP, RTCP, IPv4, Bonjour, UPnP, DNS, UDP, IGMP, QoS, SNMP
ONVIF Compatible	YES (Profile S)
Number of Online Users	10
Security	(1) Multiple user access levels with password (2) IP address filtering (3) Digest authentication
Remote Access	(1) Internet Explorer on Windows operating system (2) 16CH Video Viewer on Windows & MAC operating system (3) EagleEyes on iPhone, iPad & Android mobile devices
■ Video	
Network Compression	H.264 (Main Profile) / MJPEG
Video Resolution	1920 x 1080 / 1280 x 720 / 720 x 480 / 352 x 240
Frame Rate	30/25 fps
Multiple Video Streaming	4 (H.264, MJPEG)
■ General	
Image Sensor	1/2.8" Sony CMOS image sensor
Min Illumination	0.1 Lux / F1.8(Wide)~F3.2(Tele)
Shutter Speed	1 / 60 (1/50) to 1 / 100,000 sec.
S/N Ratio	More than 48dB (AGC off)
Lens	f5.0~50mm, F1.8 ~ 3.2, 10x Optical Zoom, auto focus
Viewing Angle	1X: 58.8° / 10X: 6.35° (Horizontal) / 1X: 34.2° / 10X: 3.6° (Vertical) / 1X: 66° / 10X: 7.25° (Diagonal)
White Balance	Auto / Indoor 1 / Indoor 2 / Sun / Cloudy * Indoor1 = 9000K; Indoor2 = 3000K; Sun = 5500K; Cloudy = 7000K
AGC	YES
IRIS Mode	YES (AI mode/Iris Priority mode)
Sharpness	YES
WDR	YES
POE	YES (IEEE 802.3af)
External Alarm I/O	YES (1 input / 1 output)
RAM	20MB
IP Rating (weather-proof)	IP67
Operating Temperature	-25°C ~ 50°C
Operating Humidity	Less than 60% relative humidity
Power Source (±10%)	DC12V, 1.5A
Current consumption (±10%)	750mA
Power Consumption (±10%)	11.25W (PoE) ; 11.25W (PoN) ; 9W (DC Adapter)
Net Weight (kg)	2.3
Dimensions (mm)	150(Ø) x 184(H) (bracket not included)
■ Audio	
Line in	YES (Mono)
Line out	YES (Mono)



● SPECIFICATIONS (CONTINUED)

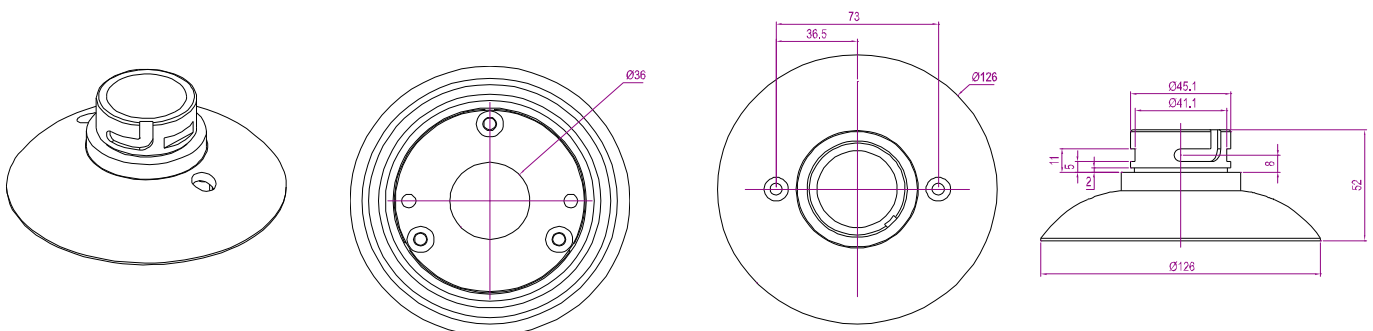
■ PTZ Mechanism	
Pan Range	360°
Max. Pan Speed	120°/s
Tilt Range	90°
Max. Tilt Speed	100°/s
Zoom Ratio	10X Optical Zoom
Max. Zoom Speed	Approx. 3s (Tele ~ Wide)
Preset Points	Up to 16 preset points
Sequence Group	1. Up to four groups can be set 2. One group can include up to 16 preset points
Home Position	YES
Resume after Power Loss	YES
■ Others	
Mobile Surveillance	iOS & Android
Event Notification	FTP / Email / SMS
Digital Pan / Tilt / Zoom	YES
Reset Default	YES
Motion Detection	YES
RTC (real-time clock)	YES
Minimum Web Browsing Requirements	<ul style="list-style-type: none"> • Intel core i3 or higher, or equivalent AMD • 2GB RAM • AGP graphics card, Direct Draw, 32MB RAM • Windows 8, Windows 7, Windows Vista & Windows XP, DirectX 9.0 or later • Internet Explorer 7.x or later

*The specifications are subject to change without notice.

● OPTIONAL CONNECTOR

■ 571CON1

Used as a connector to connect to the standard bracket used by AVM / AVP583, or connect to PTZCON1, PTZCON2 and PTZCON3 for installing other optional brackets.



** Dimensional tolerance: ± 5mm