



AVN90X

1.3 Megapixel

Network Camera

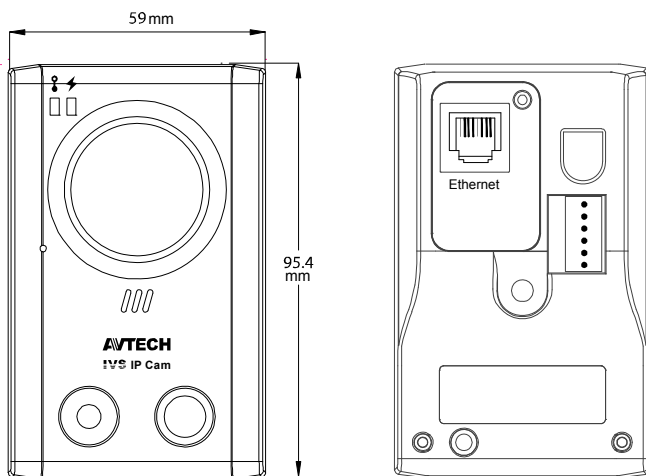


PUSH VIDEO

FEATURES

- **Push Video** support to send external or internal alarm notifications to your iPad, iPhone and Android mobile device immediately once the specified event type is triggered, and play video recording once you confirm the receipt.
- Connection of **Multiple I/O devices** for further detection and control purposes available when used with the optional I/O controller, AVX951A
- Easy **network setup** with your **iPhone / iPad / Android devices**
- **1.3 Megapixel** live MOS sensor with **HDTV 720p** quality, allowing users to notice minor details more easily
- SD card support for **video storage**
- **White LED** built-in to illuminate the scene manually, scheduled by a timer, or triggered by a motion, an alarm, or an audio event
- Microphone & speaker built-in for **two-way audio transmission**
- **Remote Surveillance**
-- **Fully compatibility** on **iPhone & iPad**, and **Internet Explorer®** on **Windows®** operating system

Dimensions





SPECIFICATIONS

■ Network	
Network Compression	H.264 / MPEG4 / MJPEG
Multiple Video Streaming (Encode Modes, IPS, Resolution)	3 (H.264, MJPEG, MPEG4)
LAN Port	YES
LAN Speed	10/100 Based-T Ethernet
Supported Protocols	DDNS, PPPoE, DHCP, NTP, SNTP, TCP/IP, ICMP, SMTP, FTP, HTTP, RTP, RTSP, UPnP
Frame Rate	NTSC:30, PAL:25
Number of Online Users	10
Security	Multiple user access levels with password
Remote Access	(1) Internet Explorer on Windows operating system (2) EagleEyes on iPhone, iPad & Android mobile devices
■ Camera	
Image Sensor	1/3" Live MOS image sensor
Video Resolution	SXGA, SXVGA, 720P, VGA, QVGA
Min Illumination	0.1 Lux / F1.5, 0 Lux (LED ON)
Shutter Speed	1 / 60 (1/50) to 1 / 100,000 sec.
S/N Ratio	More than 48dB (AGC off)
Lens	f3.8mm / F1.5
Viewing Angle	80.4° (Diagonal) / 65.4° (Horizontal) / 49.9° (Vertical)
White LED	YES (1W, 10 meters)
White Balance	ATW
AGC	Auto
IRIS Mode	AES
PIR Sensor	Detection Range 76° wide angle with up to 6m long distance at 2m height (under 30°C)
Micro SD Card Slot	YES
External Alarm I/O	YES
RAM	10MB
Microphone	YES
Speaker	YES
Power Source (±10%)	5V / 2A
Operating Temperature	0°C~40°C
Operating Humidity	Less than 60% relative humidity
Net Weight (kg)	0.3
■ Others	
Mobile Surveillance	iPad / iPhone / Android mobile device
Push Video	YES
Audio Detection	YES
RTC (real-time clock)	YES
Motion Detection	YES
Digital Pan / Tilt / Zoom	YES
Event Notification	FTP / Email / Push Video
Minimum Web Browsing Requirements	<ul style="list-style-type: none"> • Pentium 4 CPU 1.3 GHz or higher, or equivalent AMD • 256 MB RAM • AGP graphics card, Direct Draw, 32MB RAM • Windows 7, Vista & XP, DirectX 9.0 or later • Internet Explorer 7.x or later
Optional Peripheral	AVX951A I/O Controller

* The specifications are subject to change without notice.

** Dimensional tolerance: (± 5mm)