

AVP521A



HD 1080P



3-Axis



PoC



Line in / out



Solid Light



MicroSD Card
Recording



External I/O



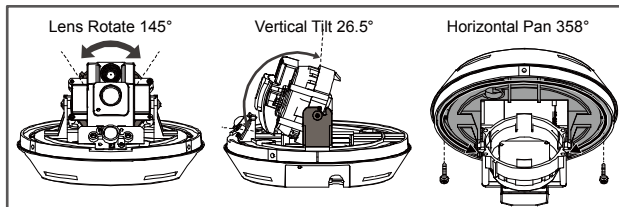
Mobile
Surveillance



2MP IR Dome IP Camera

FEATURES

- Worked with **PoC (Power-over-Coaxial) converter, AVX912R6**, to set up the whole HD IP system with coaxial cables, suitable for replacing your existing CCTV system to HD IP system effectively
- **3-axis** mechanism for flexible ceiling and wall-mount installation



- MicroSD card support (up to 64GB) for **video storage**
- **External alarm I/O device** connection



- **ONVIF** (**ONVIFS**) standard supported to simplify system integration
- **WDR** to increase image recognizability in overexposure and dark areas



- **Solid Light** series featuring better overexposure prevention (Advanced Smart Light Control), automatic adjustment of image brightness, and longer lifetime of LEDs
- **Line in / out** jacks available for audio transmission
- **Remote Surveillance**
 - **Fully compatible** with **iOS** and **Android** devices, and **Internet Explorer** on Windows operating system
 - **Push Video** available on your iOS and Android devices when used with Push Video NVR series



○ SPECIFICATIONS

| ■ Network | |
|----------------------------|--|
| Data Transmission Speed | 10/100/1000 Based-T |
| Supported Protocols | DDNS, PPPoE, DHCP, NTP, SNTP, TCP/IP, ICMP, SMTP, FTP, HTTP, RTP, RTSP, RTCP, IPv4, Bonjour, UPnP, DNS, UDP, IGMP, QoS, SNMP |
| ONVIF Compatible | YES (Profile S) |
| Number of Online Users | 10 |
| Security | (1) Multiple user access levels with password (2) IP address filtering (3) Digest authentication |
| Remote Access | (1) Internet Explorer on Windows operating system (2) 16CH Video Viewer on Windows & MAC operating system (3) EagleEyes on iPhone, iPad & Android mobile devices |
| ■ Video | |
| Network Compression | H.264 (Main Profile) / MJPEG |
| Video Resolution | 1920 x 1080 / 1280 x 720 / 720 x 480 / 352 x 240 |
| Frame Rate | 30fps |
| Multiple Video Streaming | 4 (H.264, MJPEG) |
| ■ General | |
| Image Sensor | 1/2.8" SONY CMOS image sensor |
| Min Illumination | 0.1 Lux / F1.5, 0 Lux (IR LED ON) |
| Shutter Speed | 1/10,000 ~ 1/7.5 (Slow shutter) |
| S/N Ratio | More than 48dB (AGC off) |
| Lens | f3.8mm / F1.5 |
| Viewing Angle | 73.2° (Horizontal) / 42.8° (Vertical) / 83.2° (Diagonal) |
| IR LED | 1 Unit |
| IR Effective Distance | Up to 15 meters |
| PIR Sensor | Detection Range 76° wide angle with up to 6m long distance at 2.5m height (under 30°C) |
| IR Shift | YES |
| Smart Light Control | YES |
| White Balance | ATW |
| AGC | Auto |
| IRIS Mode | AES |
| WDR | YES |
| POC | YES (IEEE 802.3af) |
| Privacy Mask | YES |
| External Alarm I/O | YES (1 input / 1 output) |
| RAM | 20MB |
| MicroSD Card Slot | YES (up to 64GB) |
| Operating Temperature | 0°C ~ 40°C |
| Operating Humidity | Less than 60% relative humidity |
| Power Source (±10%) | 12V / 1A |
| Current Consumption (±10%) | 463mA |
| Power Consumption (±10%) | 5.6W max |
| Net Weight (kg) | 0.6 |

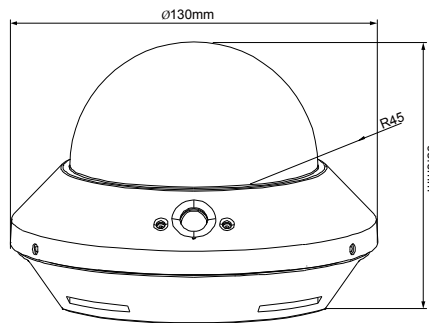
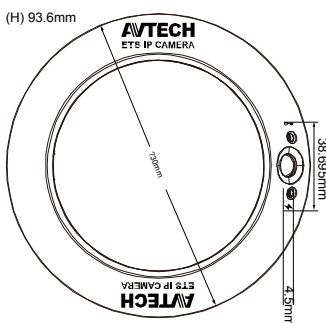


● SPECIFICATIONS

| ■ Audio | |
|-----------------------------------|---|
| Line in | YES (Mono) |
| Line out | YES (Mono) |
| ■ Others | |
| Mobile Surveillance | iOS & Android mobile devices |
| Event Notification | FTP / Email / SMS |
| 3-Axis | YES |
| Digital Pan / Tilt / Zoom | YES |
| Motion Detection | YES |
| RTC (real-time clock) | YES |
| Minimum Web Browsing Requirements | <ul style="list-style-type: none"> • Intel core i3 or higher, or equivalent AMD • 2GB RAM • AGP graphics card, Direct Draw, 32MB RAM • Windows 8, Windows 7, Windows Vista & Windows XP, DirectX 9.0 or later • Internet Explorer 7.x or later |

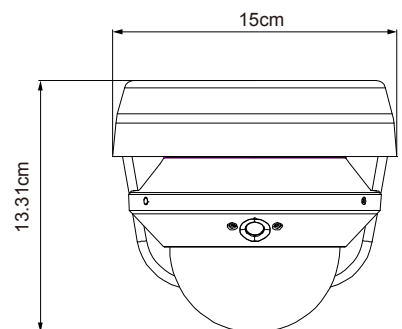
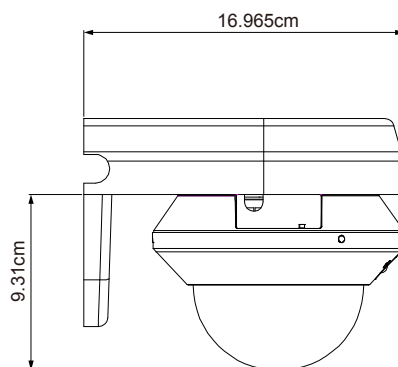
*The specifications are subject to change without notice.

● DIMENSIONS



Dimensional tolerance: ± 5 mm

● OPTIONAL BRACKET



Dimensional tolerance: ± 5 mm