



# AVP552B



HD 1080P



Vari-focal Lens



MicroSD Card Recording



External I/O



PoC



Solid Light



Mobile Surveillance

## 2MP Vari-focal IP Camera

### FEATURES

- Worked with **PoC (Power-over-Coaxial) converter, AVX912R6**, to set up the whole HD IP system with coaxial cables, suitable for replacing your existing CCTV system to HD IP system effectively
- Equipped with a **vari-focal lens of f2.8 ~ 12 mm**, suitable for various monitoring environments
- MicroSD card support (up to 64GB) for **video storage**
- **External alarm I/O device** connection



- **ONVIF** (ONVIFS) standard supported to simplify system integration
- **WDR** to increase image recognizability in overexposure and dark areas



- **Solid Light** series featuring better overexposure prevention (Advanced Smart Light Control), automatic adjustment of image brightness, and longer lifetime of LEDs

### SOLID LIGHT

Smart & Efficient Lighting Solution

- Longer IR Effective Distance
- Longer LED Lifetime
- Advanced Smart Light Control

### Remote Surveillance

- **Fully compatible** with **iOS** and **Android** devices, and **Internet Explorer** on Windows operating system
- **Push Video** available on your iOS and Android devices when used with Push Video NVR series



## ○ SPECIFICATIONS

### ■ Network

Data Transmission Speed	10/100/1000 Based-T
Supported Protocols	DDNS, PPPoE, DHCP, NTP, SNTP, TCP/IP, ICMP, SMTP, FTP, HTTP, RTP, RTSP, RTCP, IPv4, Bonjour, UPnP, DNS, UDP, IGMP, QoS, SNMP
ONVIF Compatible	YES (Profile S)
Number of Online Users	10
Security	(1) Multiple user access levels with password (2) IP address filtering (3) Digest authentication
Remote Access	(1) Internet Explorer on Windows operating system (2) 16CH Video Viewer on Windows & MAC operating system (3) EagleEyes on iPhone, iPad & Android mobile devices

### ■ Video

Video Compression	H.264 (Main Profile) / MJPEG
Resolution	1920 x 1080 / 1280 x 720 / 720 x 480 / 352 x 240
Frame Rate	30/25 fps
Multiple Video Streaming	4 (H.264, MJPEG)

### ■ General

Image Sensor	1/ 2.8" SONY CMOS image sensor
Min Illumination	0.1 Lux / F1.4(Wide)~F2.8(Tele), 0 Lux (LED ON)
Shutter Speed	1/10,000 ~ 1/7.5 (Slow shutter)
S/N Ratio	More than 48dB (AGC off)
Lens	f2.8 ~ 12mm / F1.4 ~ F2.8
Viewing Angle	Wide: 103° (Horizontal) / 54° (Vertical) / 122° (Diagonal) Tele: 31° (Horizontal) / 17° (Vertical) / 36° (Diagonal)
IR LED	2 Units
IR Effective Range**	Default: up to 25 meters ; IR Enhanced Mode: up to 35 meters
IR Shift	YES
Smart Light Control	YES
White Balance	ATW
AGC	Auto
IRIS Mode	AES
WDR	YES
POC	YES
Privacy Mask	YES
External Alarm I/O	YES
RAM	20MB
MicroSD Card Slot	YES (up to 64GB)
IP Rating	IP66
Startup Temperature	0°C ~ 40°C
Operating Temperature	-25°C ~ 50°C
Operating Humidity	Less than 60% relative humidity
Video Output	1.0 Vp-p composite, 75Ω
Power Source (±10%)	12V / 1A
Current Consumption (±10%)	733mA
Power Consumption (±10%)	11.5W Max (PoC) ; 8.8W Max (DC Adapter)
Net Weight (kg)	1.53



## ○ SPECIFICATIONS (CONTINUED)

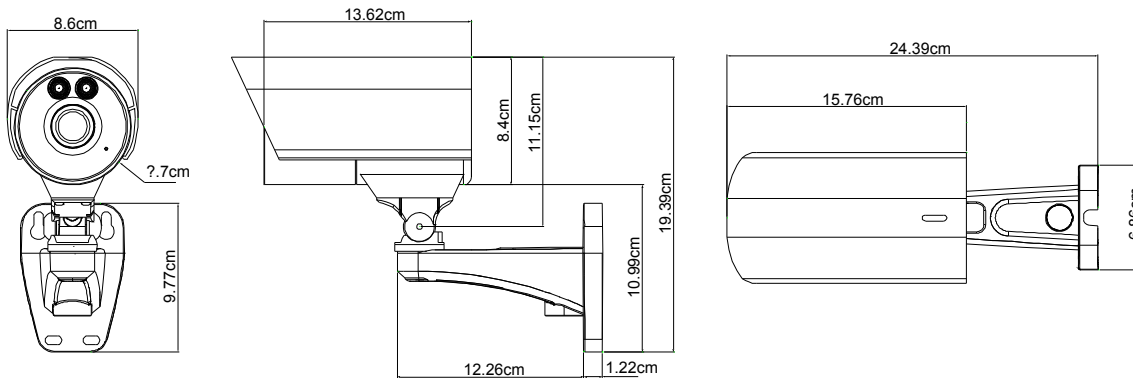
### ■ Others

Mobile Surveillance	iOS & Android
Event Notification	FTP / Email / SMS
Digital Pan / Tilt / Zoom	YES
Motion Detection	YES
RTC (real-time clock)	YES
Minimum Web Browsing Requirements	<ul style="list-style-type: none"> <li>• Intel core i3 or higher, or equivalent AMD</li> <li>• 2GB RAM</li> <li>• AGP graphics card, Direct Draw, 32MB RAM</li> <li>• Windows 8, Windows 7, Windows Vista &amp; Windows XP, DirectX 9.0 or later</li> <li>• Internet Explorer 7.x or later</li> </ul>

\*The specifications are subject to change without notice

\*\* Using IR enhanced mode and slow shutter speed, the distance can be extended even longer.

## ○ DIMENSIONS

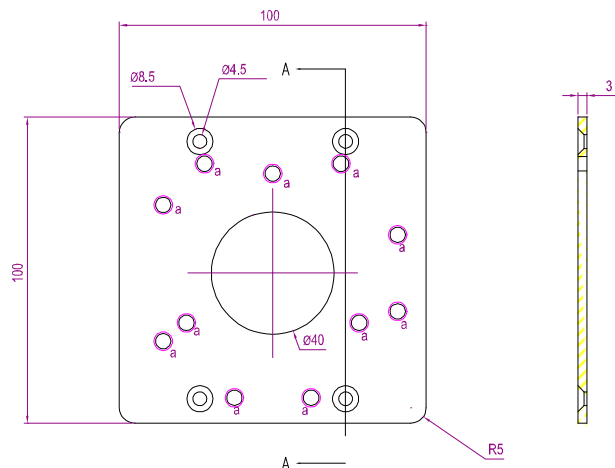


Dimensional tolerance: ± 5mm

## ○ OPTIONAL CONNECTOR

### ■ BULLETCON1

Used as a connector to install a junction box for further applications.



Dimensional tolerance: ± 5mm