



AVP571



HD 1080P



PoC



WDR



PTZ



Vari-focal
Lens



10X Optical
Zoom



External I/O



Mobile
Surveillance



ETS

APOLLO PRO

2MP 10X PTZ IP Camera

FEATURES

- Worked with **PoC (Power-over-Coaxial) converter, AVX912R6**, to set up the whole HD IP system with coaxial cables, suitable for replacing your existing CCTV system to HD IP system effectively
- Zoom lens of **f6.0 ~ f60mm** with **10x optical zoom**, 16x digital zoom and auto focus, suitable for various monitoring environments
- MicroSD card support (up to 64GB) for **video storage**
- **External alarm I/O device** connection



- **ONVIF (ONVIFS)** standard supported to simplify system integration
- **WDR** to increase image recognizability in overexposure and dark areas



- **Remote Surveillance**
 - **Fully compatible** with **iOS** and **Android** devices, and **Internet Explorer** on Windows operating system
 - **Push Video** available on your iOS and Android devices when used with Push Video NVR series
- **Hot Point** support to quickly move the camera to the specified point remotely
- Up to **16 preset points & four sequence groups** programmable for multiple points monitoring, and **Auto Scan**



○ SPECIFICATIONS

| ■ Network | |
|---------------------------|--|
| Data Transmission Speed | 10/100/1000 Based-T |
| Supported Protocols | DDNS, PPPoE, DHCP, NTP, SNTP, TCP/IP, ICMP, SMTP, FTP, HTTP, RTP, RTSP, RTCP, IPv4, Bonjour, UPnP, DNS, UDP, IGMP, QoS, SNMP |
| ONVIF Compatible | YES (Profile S) |
| Number of Online Users | 10 |
| Security | (1) Multiple user access levels with password (2) IP address filtering (3) Digest authentication |
| Remote Access | (1) Internet Explorer on Windows operating system (2) 16CH Video Viewer on Windows & MAC operating system (3) EagleEyes on iPhone, iPad & Android mobile devices |
| ■ Video | |
| Network Compression | H.264 (Main Profile) / MJPEG |
| Video Resolution | 1920 x 1080 / 1280 x 720 / 720 x 480 / 352 x 240 |
| Frame Rate | 30fps |
| Multiple Video Streaming | 4 (H.264, MJPEG) |
| ■ General | |
| Image Sensor | 1/2.9" SONY CMOS image sensor |
| Min Illumination | 0.1 Lux / F2.0 |
| Shutter Speed | 1 / 60 (1/50) to 1 / 100,000 sec. |
| S/N Ratio | More than 48dB (AGC off) |
| Lens | f6.0 ~ 60.0mm / F2.0 (Wide) ~ F2.8 (Tele) |
| Viewing Angle | 1X: 47.3° / 10X: 5.3° (Horizontal) / 1X: 27.5° / 10X: 3.0° (Vertical) / 1X: 53.5° / 10X: 6.1° (Diagonal) |
| White Balance | Auto / Indoor 1 / Indoor 2 / Sun / Cloudy * Indoor1 = 9000K; Indoor2 = 3000K; Sun = 5500K; Cloudy = 7000K |
| AGC | YES |
| IRIS Mode | YES |
| Sharpness | YES |
| WDR | YES |
| POC | YES |
| External Alarm I/O | YES (1 input / 1 output) |
| RAM | 20MB |
| IP Rating (weather-proof) | IP67 |
| Operating Temperature | -25°C ~ 50°C |
| Operating Humidity | Less than 60% relative humidity |
| Power Source (±10%) | DC12V, 1A |
| Power Consumption (±10%) | 9W |
| Net Weight (kg) | 2.2 |
| ■ PTZ Mechanism | |
| Pan Range | 360° |
| Max. Pan Speed | 120°/s |
| Tilt Range | 90° |
| Max. Tilt Speed | 90°/s |
| Zoom Ratio | 10X Optical Zoom |
| Max. Zoom Speed | Approx. 3s (Tele ~ Wide) |
| Preset Points | Up to 16 preset points |



Sequence Group

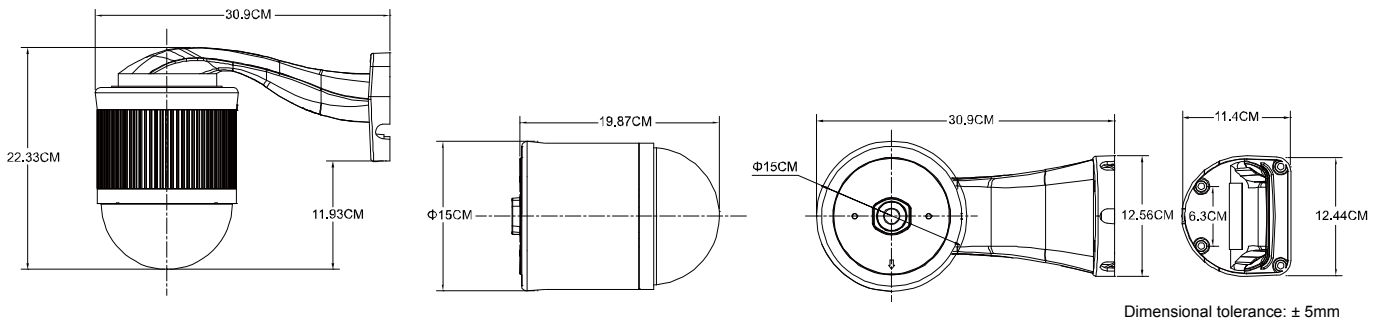
1. Up to four groups can be set
2. One group can include up to 16 preset points

○ SPECIFICATIONS (Continued)

| ■ Others | |
|-----------------------------------|--|
| Mobile Surveillance | iOS & Android mobile devices |
| Event Notification | FTP / Email / SMS |
| Digital Pan / Tilt / Zoom | YES |
| Motion Detection | YES |
| RTC (real-time clock) | YES |
| Minimum Web Browsing Requirements | <ul style="list-style-type: none"> • Intel core i3 or higher, or equivalent AMD • 2GB RAM • AGP graphics card, Direct Draw, 32MB RAM • Windows 7, Vista & XP, DirectX 9.0 or later • Internet Explorer 7.x or later |
| Optional Peripheral | PoC Converter (AVX912R6), |

*The specifications are subject to change without notice

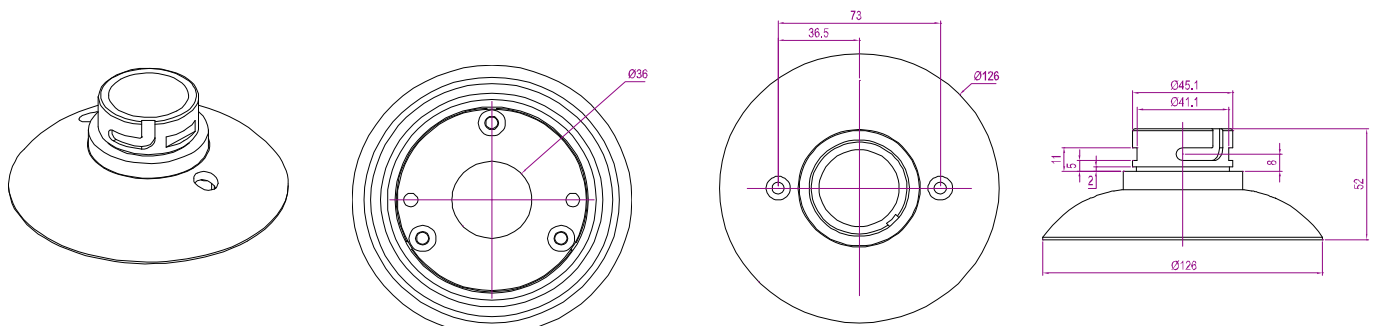
○ DIMENSIONS



○ OPTIONAL CONNECTOR

■ 571CON1

Used as a connector to connect to the standard bracket used by AVM / AVP583, or connect to PTZCON1, PTZCON2 and PTZCON3 for installing other optional brackets.



** Dimensional tolerance: ± 5mm