

AVT583

HD CCTV 1080P

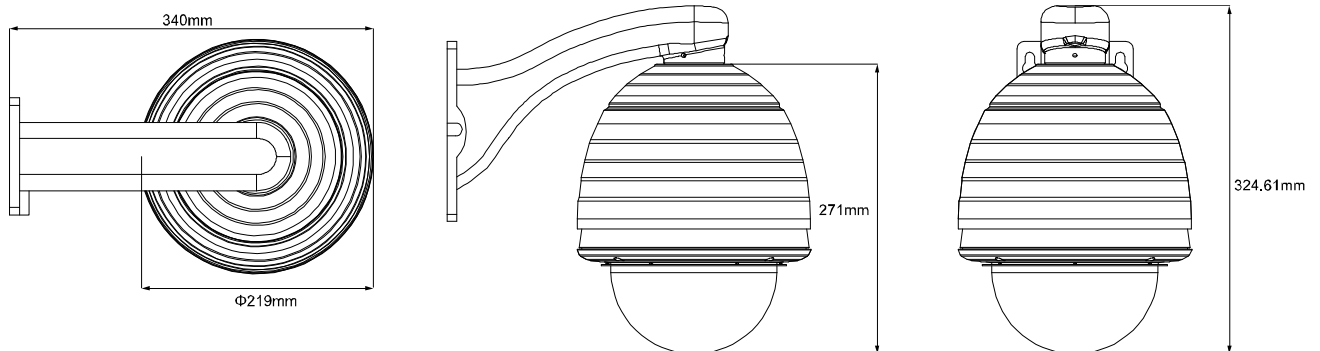
20X IR Speed Dome Camera



● FEATURES

- (1) 1/2.8" CMOS Sensor with 1080P video output
- (2) Zoom lens of f4.7 ~ 94mm with 20x optical zoom and auto focus, suitable for various monitoring environments
- (3) PTZ control for seamless monitoring
 - Capable of 360° pan rotation continuously, allowing quick and smooth action of the camera lens
 - Auto Tracking to follow moving objects
 - Up to 256 preset points & four sequence groups programmable for multiple points monitoring, and auto pan
- (4) External alarm I/O device connection
- (5) WDR to increase image recognizability in overexposure and dark areas

● DIMENSIONS*



*Dimensional tolerance: ±5mm

● SPECIFICATIONS*

■ General		■ General		
Pick-up Element	1/2.8" SONY CMOS image sensor	Operating Temperature	-20°C ~ 50°C	
Number of Pixels	1936(H) × 1096(V)	Power Source (±10%)	DC12V / 1.5A	
Video Frame Rate	1080P@30fps / 1080P@25fps	Current consumption (±10%)	800mA	
Min. Illumination	0.1 Lux / F1.6	Power Consumption (±10%)	9.6W	
S/N Ratio	More than 48dB (AGC OFF)	Optional Peripherals	USB Joystick	
Shutter Speed	1 / 60 (1/50) to 1 / 100,000 sec.	■ PTZ Mechanism		
Lens	f4.7 ~ 94mm / F1.6 (Wide) ~ 3.5(Tele)	Pan Range	360° endless	
Lens Angle	Horizontal	1X: 60.8° / 20X: 3.4°	Max. Pan Speed	180°/s
	Vertical	1X: 35.3° / 20X: 1.9°	Tilt Range	-10° ~ 190°
	Diagonal	1X: 68.3° / 20X: 3.8°	Max. Tilt Speed	100°/s
IRIS Mode	Auto	Zoom Ratio	20X Optical Zoom	
White Balance	Auto / 2500K / 3200K / 4200K / 5800K / 9500K	Max. Zoom Speed	Approx. 3s (Tele ~ Wide)	
AGC	YES	Preset Points	Up to 256 preset points	
Sharpness	YES	Sequence Group	1. Up to four groups can be set 2. One group can include up to 16 preset points	
WDR	YES (120dB)	Auto Tracking	YES	
External alarm I/O	YES (1 input / 1 output)			
IP Rating	IP66			

* The specifications are subject to change without notice.