



# AVH364

**Push Video / Push Status**  
**Huge Storage Capability**  
**64CH Video Recording**

## 64CH NVR

### Features

#### Push Video & Push Status - Active Event Notification with EagleEyes App

- **Push Video** to send instant notifications for an alarm event to iOS and Android mobile devices (when used with ETS IP camera series).
- **Push Status** to send instant notifications for system events, such as video loss or HDD data removal.



#### Multi-platform Remote Access

- Fully compatible with iOS and android mobile OS, and Internet Explorer on Windows operating system
- AVTECH free CMS program on both Windows and MAC OS

#### Huge Storage Capability

- Supports up to 10 4TB hard disks for video storage
- Mini SAS interface built-in to connect AVTECH 10-bay disk array for more storage capacity

#### HD Video Recording

- HD real-time recording brings users clear images while video recording and playback
- 1920\*1080 Full HD video output service, giving the best image quality on LCD / LED monitors



#### RS485 Communication

Capable of external device connection to extend the functionality and flexibility of your NVR

#### Smart Recording

High video resolution switch for events to optimize the recording efficiency of the hard disk



## Specifications\*

Hardware		
Video Input	One LAN port (up to 64 IP cameras)	
Video Output	HDMI	
Video Output Resolution	1920 x 1080	
HDD Storage**	Ten 4TB HDDs	
Mini SAS Port	YES	
RS-485 Port	YES	
USB Ports	Two on the front panel: one for video backup to USB flash drive, and another for NVR control via a USB mouse	
Alarm Out	YES	
IR Remote Control	YES	
Ethernet	LAN port	1000Mbps
	Internet port	1000Mbps
Software		
Video Compression Format	H.264	
Audio Compression Format	G711	
Local / Remote Display Mode	64CH	
Local / Remote Playback Mode	16CH	
Local Single Channel Playback	YES	
Recording Mode	Manual / Event / Alarm / Schedule	
Recording Throughput	Up to 1080 IPS @ 1280 x 720, Up to 192Mbps Up to 480 IPS @ 1920 x 1080, Up to 192Mbps	
Pre-alarm Recording	YES	
Quick Search	Time / Event	
Event Notification	Push Video (16CH) / Push Status / Video Mail / Message Mail	
Security	4 user access levels with password	
Remote Access	(1) Internet Explorer on Windows operating system (2) Video Viewer on Windows and Mac operating system (3) EagleEyes on iOS & Android mobile devices	
Max. Online User	18	
CMS "Trident" Support	YES (E-Map / Health Check / Event Monitor Only)	

## Specifications\*

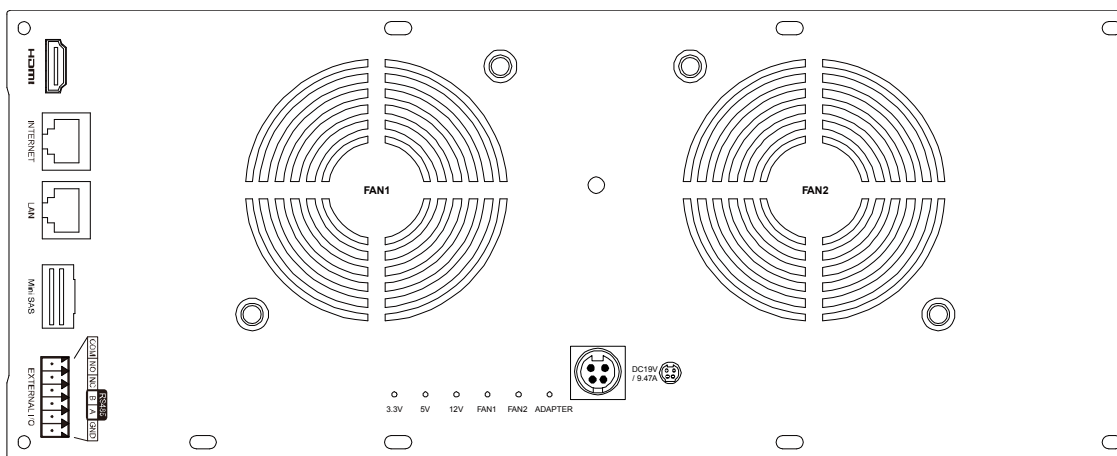
General	
Power Source (±10%)	DC19V / 9.47A
Power Consumption (±10%)	55.1W (without a hard disk and camera connected)
Power Redundancy	YES
Operating Temperature	10°C ~ 40°C (50°F~104°F)
Dimensions (mm)***	325.5 (L) x 281.17 (W) x 138.1 (H)
Minimum PC Browsing Requirements	<ul style="list-style-type: none"> <li>• Intel core i3 or higher, or equivalent AMD</li> <li>• 2GB RAM</li> <li>• AGP graphics card, Direct Draw, 32MB RAM</li> <li>• Windows 7, Vista &amp; XP, DirectX 9.0 or later</li> <li>• Internet Explorer 7.x or later</li> </ul>
Peripherals	HDMI Matrix / Rack Mount

\*The specifications are subject to change without notice

\*\* HDDs are optional.

\*\*\* Dimensional tolerance: ±5mm

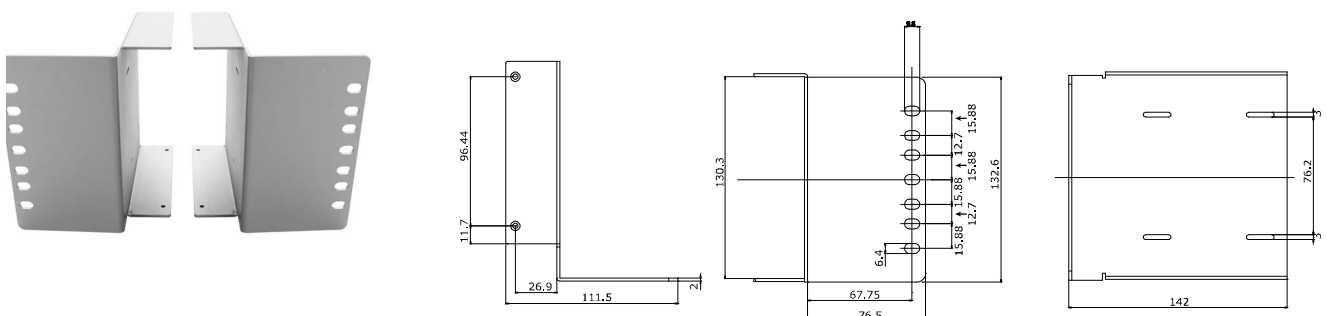
## Rear Panel



## Optional Rack Mount

### ■ AVH516PLUS-RBKT

Used for this NVR to mount to a rack.



Dimensional tolerance: ± 5mm