



AVM591A



HD 1080P



PTZ



WDR



MicroSD
Card
Recording



Auto
Tracking



10X Optical
Zoom



External
I/O



Mobile
Surveillance



2MP 10X PTZ IP Camera

FEATURES

- Zoom lens of f5.0 ~ 50mm with **10x optical zoom and auto focus**, suitable for various monitoring environments
- **PTZ control** for seamless monitoring:
 - Capable of **360° pan rotation continuously** and 180° tilt movement, allowing quick and smooth action of the camera lens
 - **Auto Tracking** to follow moving objects
 - **Hot Point** support to quickly move the camera to the specified point remotely
 - Up to **256 preset points & four sequence groups** programmable for multiple points monitoring, and **auto pan**

- **External alarm I/O device** connection



- **ONVIF** (**ONVIFS**) standard supported to simplify system integration
- MicroSD card support (up to 64GB) for **video storage**
- **WDR** to increase image recognizability in overexposure and dark areas
- IR effective range up to **75 meters** for night surveillance
- **IP66** for outdoor application
- **Remote Surveillance**
 - **Fully compatible** with **iOS** and **Android** devices, and **Internet Explorer** on Windows operating system
 - **Push Video** available on your iOS and Android devices when used with Push Video NVR series



○ SPECIFICATIONS

■ Network	
LAN Port	YES
LAN Speed	10/100 Based-T Ethernet
Supported Protocols	DDNS, PPPoE, DHCP, NTP, SNTP, TCP/IP, ICMP, SMTP, FTP, HTTP, RTP, RTSP, RTCP, IPv4, Bonjour, UPnP, DNS, UDP, IGMP, QoS, IEEE802.1X, SNMP
ONVIF Compatible	YES (Profile S)
Number of Online Users	10
Security	(1) Multiple user access levels with password (2) IP address filtering (3) Digest authentication
Remote Access	(1) Internet Explorer on Windows operating system (2) 16CH Video Viewer on Windows & MAC operating system (3) EagleEyes on iPhone, iPad & Android mobile devices
■ Video	
Network Compression	H.264 (Main Profile) / MJPEG
Video Resolution	1920 x 1080 / 1280 x 720 / 720 x 480 / 352 x 240
Frame Rate	30 fps
Multiple Video Streaming	4 (H.264, MJPEG)
Bitrate Control	SVBR control (VBR + Max bitrate)
■ General	
Image Sensor	1/2.8" Sony CMOS image sensor
Min Illumination	0.1 Lux / F1.8(Wide)~F3.2(Tele), 0 Lux (IR LED ON)
Shutter Speed	1/10,000 ~ 1/7.5 (Slow shutter)
S/N Ratio	More than 48dB (AGC off)
Lens	f5.0 ~ 50mm / F1.8 (Wide) ~ 3.2(Tele), auto focus
Viewing Angle	1X: 58.8° (Horizontal) / 34.2° (Vertical) / 66° (Diagonal) 10X: 6.35° (Horizontal) / 3.6° (Vertical) / 7.25° (Diagonal)
IR LED	8 units
IR Effective Distance	75 meters
IR Shift	YES
White Balance	Auto / 2500K / 3200K / 4200K / 5800K / 9500K
AGC	YES
IRIS Mode	AI mode / Iris Priority mode
Sharpness	YES
WDR	YES
External Alarm I/O	YES (1 input)
MicroSD Card Slot	YES (up to 64GB)
RS-485	YES
IP Rating (weather-proof)	IP66
Operating Temperature	-25°C ~ 50°C
Operating Humidity	Less than 60% relative humidity
Power Source (±10%)	AC24V / DC15~28V, 2A
Current consumption (±10%)	1.3A
Power Consumption (±10%)	25W
Net Weight (kg)	6.9

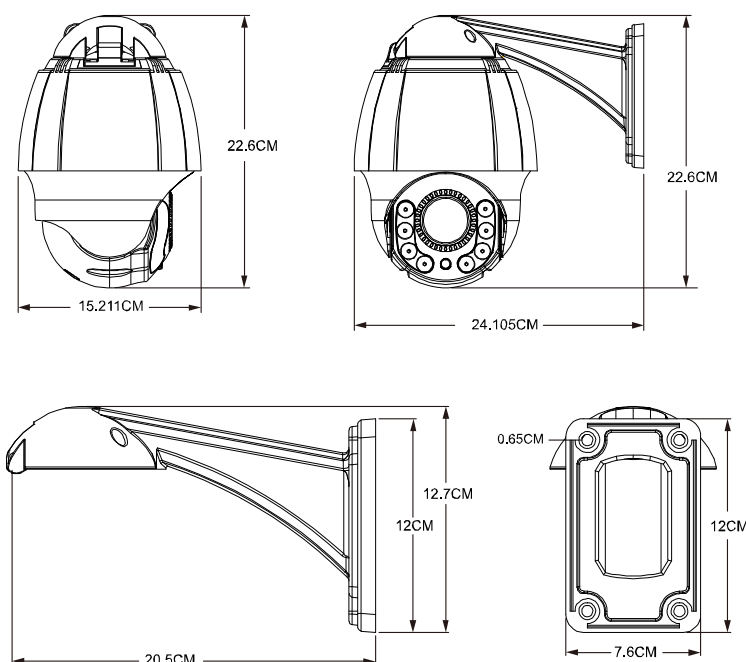


○ SPECIFICATIONS (CONTINUED)

■ PTZ Mechanism	
Pan Range	360° continuous rotation
Max. Pan Speed	180°/s
Tilt Range	90°
Max. Tilt Speed	90°/s
Zoom Ratio	10X Optical Zoom
Max. Zoom Speed	Approx. 4s (Tele ~ Wide)
Preset Points	Up to 256 preset points
Sequence Group	1. Up to four groups can be set 2. One group can include up to 64 preset points
Auto Tracking	YES
■ Others	
Mobile Surveillance	iOS & Android
Event Notification	FTP / Email / SMS
Digital Pan / Tilt / Zoom	YES
Reset Default	YES
Motion Detection	YES
RTC (real-time clock)	YES
Minimum Web Browsing Requirements	<ul style="list-style-type: none"> • Intel core i3 or higher, or equivalent AMD • 2GB RAM • AGP graphics card, Direct Draw, 32MB RAM • Windows 8, Windows 7, Windows Vista & Windows XP, DirectX 9.0 or later • Internet Explorer 7.x or later

*The specifications are subject to change without notice.

○ DIMENSIONS



*Dimensional tolerance: ± 5mm